

Hidden Faucet Aerator - 1.0 to 2.2 gpm Pressure Compensating Tom Thumb® Size M16.5x1

Features and Benefits

- Watercolours™ design: Color coding to identify flow rate and stream pattern.
- Patented construction provides a splash-free stream, well-aerated and soft to the touch.
- Pressure compensating for constant flow from 20 to 80 psi.
- Anti-clogging dome screen filters sediment and particles.
- Threads directly into the faucet spout. Virtually invisible once installed.
- Vandal resistant by design (install and remove with a special key).

Certifications

ANSI/ NSF™ -61-372

ASME A112.18.1M and CSA B125 (2.2 pending)

Meets **CALGreen** requirements (1.0, 1.2, 1.5, & 1.8 gpm)

WaterSense (1.0, 1.2, & 1.5 gpm)

1.8 & 2.2 gpm not applicable for WaterSense

Complies with CEC Amendment to CCR Title 20, section 1605.3 (1.2 & 1.8 gpm)



Options Available

Part #	Color	gpm	L/min
CCA-100TT-P	Blue / Dark Gray	1.0	3.8
CCA-120TT-P	Pink / Dark Gray	1.2	4.5
CCA-150TT-P	Green / Dark Gray	1.5	5.7
CCA-180TT-P	Light Blue / Dark Gray	1.8	6.6
CCA-220TT-P	Yellow / Dark Gray	2.2	8.3
CCT-040	Caché™ Key (Yellow)		

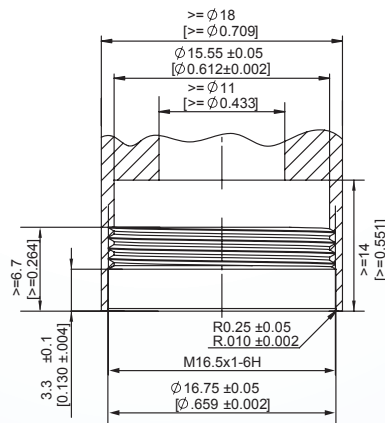
Packaging:

Threaded Insert

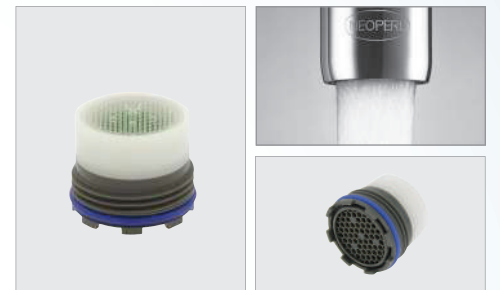
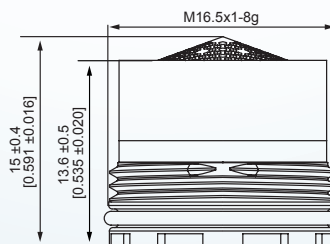
1 pc (bag), 6 pcs (bag), 50 pcs (bag)

Dimensions

Mounting Dimensions



Dimensions



Technical Data

Materials:	Body	Acetal
	Int. O-ring	EPDM
	Ext. O-ring	Silicone

