

## Hidden Faucet Aerator - 1.0 - 2.2 gpm Flow Restricted Tom Thumb® Size M16.5x1

### Features and Benefits

- Watercolours® design: Color coding to identify flow rate and stream pattern .
- Patented construction provides a splash-free stream, well aerated and soft to the touch.
- Anti-clogging dome screen filters sediment and particles.
- Threads directly into the faucet spout. Virtually invisible once installed.
- Vandal resistant by design (install and remove with a special key).

### Certifications

ANSI/ NSF® -61-372  
ASME A112.18.1M and CSA B125 (2.2 pending)  
Meets **CALGreen** requirements (1.5 gpm)



WaterSense (1.0, 1& 1.5 gpm)

2.2 gpm not applicable for WaterSense

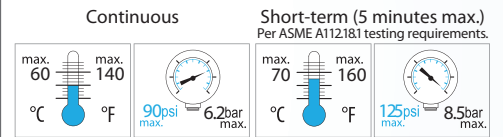
### Options Available

Part #	Color	gpm	L/min
CCA-100TT-N	Cream / Dark Gray	1.0	3.8
CCA-150TT-N	Green / Dark Gray	1.5	5.7
CCA-220TT-N	Red / Dark Gray	2.2	8.3
CCT-040	Caché® Key (Yellow)		



### Technical Data

Materials: Body Acetal  
O-ring Silicone

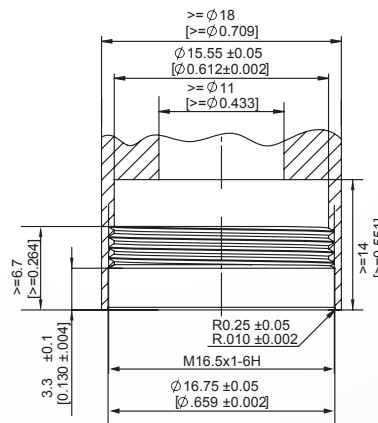


### Packaging:

Threaded Insert 1 pc (bag), 6 pcs (bag), 50 pcs (bag)

### Dimensions

#### Mounting Dimensions



#### Dimensions

