

Laminar Stream - 2.2 gpm

Flow Restricted Tom Thumb® Size M16.5x1

Features and Benefits

- Watercolours® design: Color coding to identify flow rate and stream pattern.
- Patented construction provides a splash-free, crystal clear (non-aerated) stream.
- Anti-clogging dome screen filters sediment and particles.
- Threads directly into the faucet spout. Virtually invisible once installed.
- Vandal resistant by design (install and remove with a special key).

Certifications

ANSI/ NSF® -61-372
 ASME A112.18.1M and CSA B125
 Meets **CALGreen** requirements

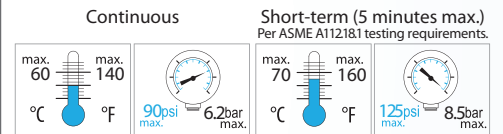
Options Available

Part #	Color	gpm	L/min
CCL-220TT-N	Red / Light Gray	2.2	8.3
CCT-040	Caché® Key (Yellow)		



Technical Data

Materials: Body Acetal
 Int. O-ring EPDM
 Ext. O-ring Silicone

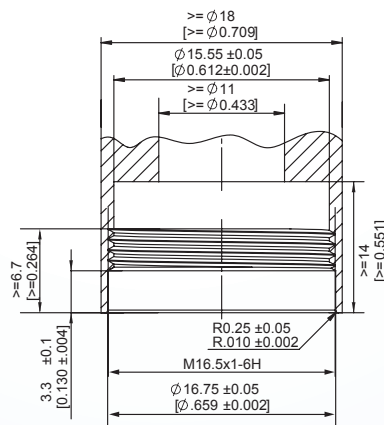


Packaging:

Threaded Insert 1 pc (bag), 6 pcs (bag), 50 pcs (bag)

Dimensions

Mounting Dimensions



Dimensions

