

## Laminar Stream - 1.0 to 2.2 gpm Pressure Compensating Tom Thumb® Size M16.5x1

### Features and Benefits

- Watercolours® design: Color coding to identify flow rate and stream pattern.
- Patented construction provides a splash-free, crystal clear (non-aerated) stream.
- Pressure compensating for constant flow from 20 to 80 psi.
- Anti-clogging dome screen filters sediment and particles.
- Threads directly into the faucet spout. Virtually invisible once installed.
- Vandal resistant by design (install and remove with a special key).

### Certifications

ANSI/ NSF® -61-372

ASME A112.18.1M and CSA B125 (1.8 gpm pending)

Meets **CALGreen** requirements

WaterSense (1.0, 1.2, & 1.5 gpm)

1.8, 2.2 gpm not applicable for WaterSense

Complies with CEC Amendment to CCR Title 20, section 1605.3 (1.2 & 1.8 gpm)



### Options Available

Part #	Color	gpm	L/min
CCL-100TT-P	Blue / Light Gray	1.0	3.8
CCL-120TT-P	Pink / Light Gray	1.2	4.5
CCL-150TT-P	Green / Light Gray	1.5	5.7
CCL-180TT-P	Light Blue / Light Gray	1.8	6.6
CCL-220TT-P	Yellow / Light Gray	2.2	8.3
CCT-040	Caché® Key (Yellow)		

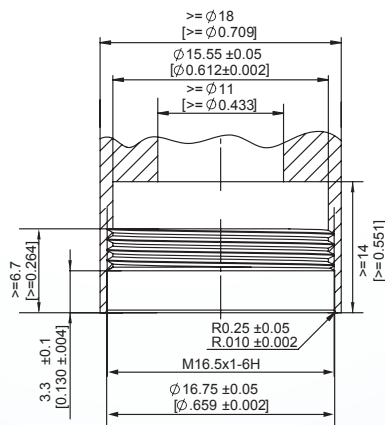
### Packaging:

Threaded Insert

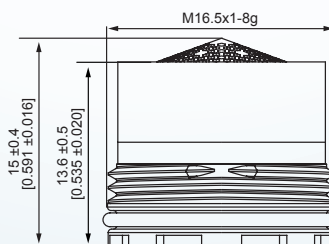
1 pc (bag), 6 pcs (bag), 50 pcs (bag)

### Dimensions

#### Mounting Dimensions



#### Dimensions



### Technical Data

Materials: Body Acetal  
Int. O-ring EPDM  
Ext. O-ring Silicone

